



PRODUCTS CATALOG

2026

 KHAVARIGROUP.COM   [KHAVARICO](#)    [KHAVARICO](#)   +98 9122772900  +98 21 26766433

Central Office Address: No. 2, Aria alley, Sarv crossing, Tehran, Iran

Factory address: Next to Agricultural Research Center of Hamedan Province, km 5 of Tehran Road, Hamedan, Iran



Khavari Machine Barzegar Co.



Hamedan Machine Barzegar Co.



Khavari Industrial & Trading Group

Since 1969, innovation and quality have been the basis of our commitment to our customers, the farmers. They are the inspiration behind our trademark. In concrete terms, this means 100 patents filed, over 3000 machines produced each year and the service ensured by more than 1000 Machine Barzegar staff world wide. Products and services are marketed with a single trademark.

50 years of experience in manufacturing farm machinery helps us offer products and services ensured to perform to our customers' requirements. A leader in farm machinery, we want to offer farmers the best products, every day and right round the world. We want to satisfy increasing numbers of customers.

Today 150 employees are proud to serve the exacting demands of farmers. Their skill and commitment also help meet these demands.

Brief History of Hamedan Machine Barzegar



Haj Heidar Khavari Dehghan

Founder of Hamedan Machine Barzegar



Agha Habibullah

One of the famous combine harvesters owner



The infrastructure of the complex's industrial activities was established in 1951 by Agha Habibullah (the ancestors of the complex's managers), one of the country's famous combine owners. With the unceasing efforts of Haj Heidar Khavari Dehghan in the blacksmith industry since 1969, Hamedan Machine Barzegar Company started its activity in 1985 with the production of modern seed drills and today it is proudly one of the largest manufacturers of agricultural machinery in the Asian continent. In today's era, the managers of Hamedan Machine Barzegar complex of factories, following their ancestors, using the modern knowledge of the world, have succeeded in producing smart combines and other modern machines common in the world. Also, this collection is proud to produce more than 3000 machines per year and export it to more than 10 countries.



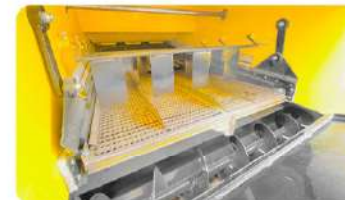
COMBINE HARVESTER

Iranian Mercedes Benz Diesel Engine under license of Diamler AG-Germany. CE of Agricultural Machinery Test Organization of Agricultural Ministry. Downfall and Fracture (in Total) of seed less than 1%. High Speed Operation in Driving with Hydrostatic System. Remove the weed seed and stubble from the Land and protecting field's Microorganisms. Less Parts , More Efficiency , Easy maintenance and Less Amortization. This combine can harvest grains, legumes, coriander and millet.

Section	Technical Data	HMB 240 / SHAHAN (KINGS)	Section	Technical Data	HMB 240 / SHAHAN (KINGS)
Engine	Type	Benz om 355	Engine	Rotation	C.C.W
	Power	240 hp @ 2200 rpm / 270 hp + Turbo		Emission Standard	Euro2 - Euro3 - Euro4
	Engine Speed	2200 rpm		Radiator Filter	Rotary + Auto Cleaning
	No, Of Cylinders	6		Engine Oil Capacity	18 to 28 Lit
	Max Torque	820 n.m @ 1400 rpm		Motion System	Power Transmission
	Compression Ratio	16.82	Final Drive		Reduction Ratio of 85:13 (single-stage)
	Cylinder Bore	128 mm	Brake		Hydraulic Lever
	Storke	140 mm	Emergency Brake		Double Disk
	Engine Dimension	1335x685x1085 (LxWxH) mm	Forward Speed		1 to 28 km/h
	Total Engine Weight	880 Kg	Reverse Speed		4 to 8 km/h
	Total Piston Displacement	11.58 Lit	Hay tank	Capacity	800 to 1000 Kg / 1300 to 1500 Kg
Fuel Consumption (Min)	0.2038 Kg/Kw.hr @ 1000 rpm	Hay Discharge Method		Hydraulic	

HMB CO.

HAMEDAN MACHINE BARZEGAR



Model:

Price:

Expire:



KHAVARIGROUP.COM



[KHAVARICO](#)



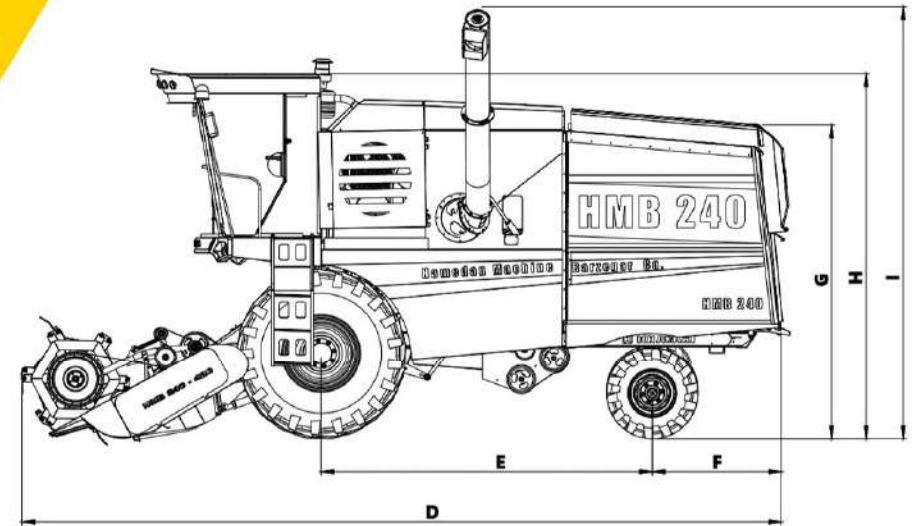
[KHAVARICO](#)

COMBINE HARVESTER

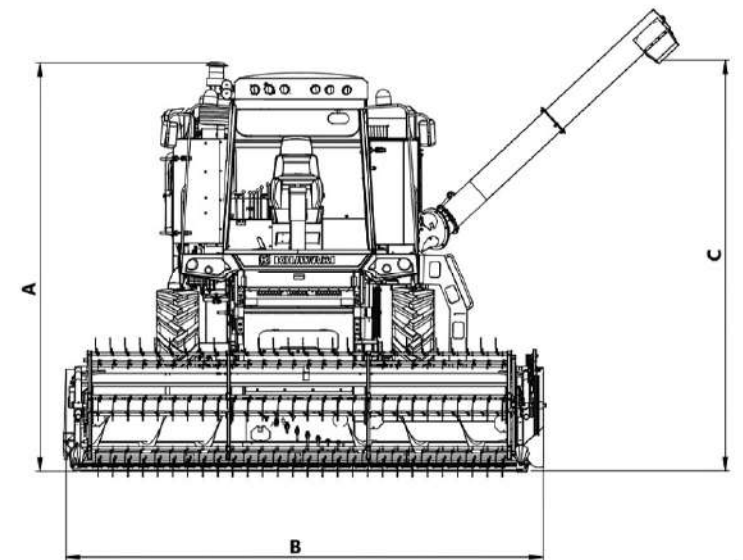
Section	Technical Data	HMB 240 / SHAHAN (KINGS)
Grain Tank	Capacity	1800 to 2000 kg / 2200 to 2500 kg
	Discharge Speed	3 to 4 minutes
	Discharge Tube	Hydraulic Lever
Electrical System	Dynamo	24 volts (110 amps)
	Battery	24 volts (100 to 120 amps)
Cylinder base (bottom-hitting screen)	Area	0.62 square meters
	Number of Holes	1240 pieces
	Rock Filter	Nut-and-Screw discharge tank
Weight	Platformless Car	7700 kg / 8900 kg
	Platform	1170 kg / 1970 kg
Tires	Front Tire	13.34/30
	Rear Tire	12.5.80.18
Hay Suction fan	Number of Fins per Fan	2 items
	Suction Fan Diameter	550 mm
Drive System	Pump Type	Piston (Hydrostatic)
Feederhouse	Number of Conveyor Chains	2 pieces
	Elevator	Reinforced jagged U-shaped
Threshing machine cylinder	Cylinder width	1000 mm
	Cylinder Diameter	750 mm
	Number of Blades	36 to 42 pieces
	Blade model	4-way replaceable hammer-type
	Hammer Type	400 to 850
Cut Platform	Cut width	4.2m (14 ft) / 7.7 (25 ft)
	Cutting height	60 to 600 mm
	Cut Propeller	Rotary Gearbox (560 beats per minute)
Reel	Diameter	1100 mm
	Number of spring buttons	162 (14 ft) / 300 (25 ft)
Winnowing system	Sieve area	1.20 square meters
	Total Winnow area	2.07 square meters
Capacity	Fuel Tanker	245 to 260 Lit
	Hydraulic Oil Tank	75 Lit

HMB CO.

HAMEDAN MACHINE BARZEGAR



MODEL 4X4



A	B	C	D	E	F	G	H	I
4150	4670	3830	7850	3400	1480	3260	3730	4230



PRESS WHEEL SEED DRILL

This machine is designed to grow crops such as cereal and leguminous seeds in the form of parallel planting lines and under rainfed conditions. The possibility of planting deeper and setting the uniform density of seeds, as well as the ability to place basic fertilizers under the seeds in a strip form by two-level furrow openers are the features of this device. The rubber pusher wheels at the back of the machine are flexible enough to stabilize the seed and compress the soil surface to maintain moisture. The working width of this machine varies from 2.2 to 5.8 meters in different models.

Technical Data	PARS 225/11	PARS 225/13	PARS 300/17	PARS 600/34
Weight	1170 kg	1225 kg	1320 kg	2410 kg
Row Spacing	170 mm	170 mm	170 mm	170 mm
Number of Rows	11	13	17	34
Working Rate Approx	1.8 ha/hr	1.8 ha/hr	2.3 ha/hr	4.6 ha/hr
Seed/Fertilizer Capacity	195 kg	195 kg	260 kg	520 kg
Linkage	3 Points Hitch	3 Points Hitch	3 Points Hitch	3 Points Hitch
Working Width	2.2 m	2.2 m	2.9 m	5.8 m
Requested Power (Min)	65-85 hp	65-85 hp	90-110 hp	125 hp

HMB CO.
HAMEDAN MACHINE BARZEGAR



PRESS WHEEL SEED DRILL



Model:

Price:

Expire:



KHAVARIGROUP.COM



[KHAVARICO](#)



[KHAVARICO](#)



PRESS WHEEL SEED DRILL MODEL **PARS PRO PLUS**

The best planter in dryland conditions is a seed drill that spreads the seeds evenly over the field surface and places them at the appropriate depth. The 11 and 13-row dryland seed drill, Pars Pro Plus, is designed to plant grains (wheat and barley) and legumes (chickpeas, lentils, and mung beans) in parallel rows in dryland areas using conventional or conservation agriculture. This seed drill, with a separate fertilizer tank and two-level furrow openers, places fertilizer and seeds in the soil and 5 cm below the seeds with a single tractor pass through the field, increasing the efficiency of fertilizer use. The rear rubber pressure wheels of the machine, with appropriate flexibility, help to stabilize the seeds and compact the soil surface, and help to settle the seeds in the soil. On the other hand, by creating furrows in the rows of seed placement, it helps to store precipitation.

Technical Data	PARS 11 PRO PLUS	PARS 13 PRO PLUS	PARS 17 PRO PLUS
Weight	1315 kg	1370 kg	1550 kg
Row Spacing	180 mm	155 mm	170 mm
Number of Rows	11	13	17
Dimansious	3800*2450*1700 mm	3800*2450*1700 mm	3800*2900*1700 mm
Seed/Fertilizer Capacity	195 kg	195 kg	310 kg
Linkage	3 Points Hitch	3 Points Hitch	3 Points Hitch
Working Width	2 m	2 m	3 m
Requested Power (Min)	75-85 hp	75-85 hp	90-110 hp
Working Rate Approx	1.8 ha/hr	1.8 ha/hr	2.3 ha/hr

HMB CO.
HAMEDAN MACHINE BARZEGAR



PARS PRO PLUS SEED DRILL



Model:

Price:

Expire:



17 ROWS



MECHANICAL SEED DRILL MODEL **ECO MAX**

The best planter in dryland conditions is a seed drill that spreads the seeds evenly over the field surface and places them at the appropriate depth. The 11 and 13-row dryland seed drill, Pars Pro Plus, is designed to plant grains (wheat and barley) and legumes (chickpeas, lentils, and mung beans) in parallel rows in dryland areas using conventional or conservation agriculture. This seed drill, with a separate fertilizer tank and two-level furrow openers, places fertilizer and seeds in the soil and 5 cm below the seeds with a single tractor pass through the field, increasing the efficiency of fertilizer use. The rear rubber pressure wheels of the machine, with appropriate flexibility, help to stabilize the seeds and compact the soil surface, and help to settle the seeds in the soil. On the other hand, by creating furrows in the rows of seed placement, it helps to store precipitation.

Technical Data

ECO MAX 2500/17

ECO MAX 3000/21

Weight	875 kg	985 kg
Row Spacing	130 mm	130 mm
Number of Rows	21	21
Dimansious	1800*2900*1500 mm	1800*3300*1500 mm
Seed/Fertilizer Capacity	150/300 kg	180/330 kg
Linkage	3 Points Hitch	3 Points Hitch
Working Width	2.5 m	3 m
Requested Power (Min)	75-90 hp	90-110 hp
Working Rate Approx	1.5 ha/hr	2 ha/hr

HMB CO.

TRACTION MACHINERY EXPORTER



ECO PLUS SEED DRILL

Model:

Price:

Expire:



 KHAVARIGROUP.COM

  [KHAVARICO](#)

   [KHAVARICO](#)



NO TILL SEED DRILL

This machine is designed to cultivate crops such as cereal and leguminous seeds in the form of parallel planting lines and in the conditions of conservation agriculture system (No Till cultivation) in rainfed lands. The possibility of planting seeds deeper with furrow openers equipped with anti-wear steel blades, adjusting the uniform density of seeds and placing basic fertilizers under the seeds in the form of a strip is one of the capabilities of this device. Transfer tires have been used in this device to facilitate road and farm transportation with the aim of reducing depreciation, punctures and tearing of the pusher wheels.

Technical Data	SD 225/11	SD 225/13	SD 300/17	SD 600/34
Weight	1170 kg	1225 kg	1320 kg	2410 kg
Row Spacing	170 mm	170 mm	170 mm	170 mm
Number of Rows	11	13	17	34
Working Rate Approx	1.8 ha/hr	1.8 ha/hr	2.3 ha/hr	4.6 ha/hr
Seed/Fertilizer Capacity	195 kg	195 kg	260 kg	520 kg
Linkage	3 Points Hitch	3 Points Hitch	3 Points Hitch	3 Points Hitch
Working Width	2.2 m	2.2 m	2.9 m	5.8 m
Requested Power (Min)	65-85 hp	65-85 hp	90-110 hp	125 hp

HMB CO.

HAMEDAN MACHINE BARZEGAR



NO TILL SEED DRILL



Model:

Price:

Expire:



KHAVARIGROUP.COM



[KHAVARICO](#)



[KHAVARICO](#)



MECHANICAL SEED DRILL

This machine is used to cultivate products such as grain seeds, legumes and oil seeds in a linear way; It is specially designed for fields with irrigation system under pressure or areas with high rainfall.

Precise adjustment of planting depth and uniform density of seeds, as well as the ability to place basic fertilizers under the seeds in a strip form by two-level furrow openers are the features of this device. The working width of this device varies from 2.2 to 4 meters in different models.

Technical Data	ALBORZ 2517	ALBORZ 3021	ALBORZ 3525	ALBORZ 4029
Weight	660 kg	750 kg	970 kg	1160 kg
Row Spacing	130 mm	130 mm	130 mm	130 mm
Number of Rows	17	21	25	29
Working Rate Approx	1.5 ha/hr	1.8 ha/hr	2.2 ha/hr	3 ha/hr
Seed/Fertilizer Capacity	297 kg	320 kg	385 kg	500 kg
Linkage	3 Points Hitch	3 Points Hitch	3 Points Hitch	3 Points Hitch
Working Width	2.2 m	2.75 m	3.25 m	4 m
Requested Power (Min)	65-85 hp	90-110 hp	110-125 hp	125 hp

HMB CO.
HAMEDAN MACHINE BARZEGAR



MECHANICAL SEED DRILL



Model:

Price:

Expire:





FURROW SEED DRILL

This machine is designed to plant crops such as cereal seeds, legumes and oil seeds in parallel lines (3 to 4 rows), on each stack in fields with pressurized (drip) or leak irrigation systems. Precise adjustment of planting depth and uniform density of seeds on the stacks, as well as the ability to place basic fertilizers under the seeds in a strip form by two-level furrow openers are the features of this device. The working width of this device varies from 2.5 to 4 meters in different models.

Technical Data	DENA 2515	DENA 2517	DENA 3020	DENA 4027
Weight	665 kg	680 kg	720 kg	820 kg
Row Spacing	80-130 mm	80-130 mm	80-130 mm	80-130 mm
Number of Rows	15	17	20	27
Working Rate Approx	1.8 ha/hr	1.8 ha/hr	1.9 ha/hr	2.2 ha/hr
Seed/Fertilizer Capacity	297 kg	320 kg	385 kg	500 kg
Linkage	3 Points Hitch	3 Points Hitch	3 Points Hitch	3 Points Hitch
Working Width	2.5 m	2.5 m	3 m	4 m
Requested Power (Min)	65-85 hp	65-85 hp	90-110 hp	125 hp

HMB CO.
HAMEDAN MACHINE BARZEGAR



FURROW SEED DRILL



Model:

Price:

Expire:





FURROW SEED DRILL MODEL **ECO F MAX**

This machine is designed to plant crops such as cereal seeds, legumes and oil seeds in parallel lines (3 to 4 rows), on each stack in fields with pressurized (drip) or leak irrigation systems. Precise adjustment of planting depth and uniform density of seeds on the stacks, as well as the ability to place basic fertilizers under the seeds in a strip form by two-level furrow openers are the features of this device. The working width of this device varies from 2.5 to 3 meters in different models.

Technical Data	ECO F MAX 2500/16	ECO F MAX 3000/20
Weight	1080 kg	1190 kg
Row Spacing	130 mm	130 mm
Number of Rows	16	20
Working Rate Approx	1.5 ha/hr	2 ha/hr
Seed/Fertilizer Capacity	150/300 kg	180/330 kg
Linkage	3 Points Hitch	3 Points Hitch
Working Width	2.5 m	3 m
Requested Power (Min)	90-110 hp	75-90 hp

HMB CO.
HAMEDAN MACHINE BARZEGAR



FURROW SEED DRILL



Model:

Price:

Expire:



SALTY LAND SEED DRILL

This machine is designed to plant crops such as cereal seeds, legumes and oil seeds in the form of parallel planting lines, inside furrows with a width of 40 to 50 cm in agricultural lands with relatively salty soil and water. The ability to create small stacks between the furrows at the time of planting causes the accumulation of solutes in the form of a strip on it and reduces the concentration of solutes in the vicinity of the plant. Also, the feature of this device is the ability to place basic fertilizers under the seed in the form of strips by two-level furrow openers. The working width of this device varies from 2.5 to 4 meters in different models.

Technical Data	ECO S MAX 2500/16	ECO S MAX 3000/20
Weight	695 kg	970 kg
Row Spacing	80-130 mm	80-130 mm
Number of Rows	16	20
Working Rate Approx	1.8 ha/hr	19 ha/hr
Seed/Fertilizer Capacity	280 kg	310 kg
Linkage	3 Points Hitch	3 Points Hitch
Working Width	2.5 m	3 m
Requested Power (Min)	65-85 hp	90-110 hp

HMB CO.
HAMEDAN MACHINE BARZEGAR



SALTY LAND SEED DRILL

Model:

Price:

Expire:





MECHANICAL SEEDER OF GARLIC, SHALLOT & BEANS

This device takes the seeds from the tank using a rotating rubber band in each row and plants them on the grooves created by the blades on the ground. The unique feature of this furrow opener model is that each operating unit operates independently and the furrow openers are placed in parallel. These units adjust their height according to the working conditions according to the elevation changes of the agricultural land.

The seed spacing between each row is done by adjusting the gears, and the spacing can be adjusted from 4 to 6, 6 to 8, and 8 to 10. Also, the special ability to move the seed inside the tank towards the bucket strips is done hydraulically.

Technical Data

PANOMERA 10R

Weight	870 Kg
Dimension	1930 × 2780 × 1630 mm
Number of Row	10
Working Rate Approx	0.4 ha/hr
Tank Capacity (Max)	120 Kg
Linkage	1 Point Hitch
Working Width	2000 mm
Requested Power (Min)	70 hp

HMB CO.
HAMEDAN MACHINE BARZEGAR



GARLIC PLANTER



Model:

Price:

Expire:





FERTILIZER SPREADER

This device spreads manure over a wide area of the field, using centrifugal force by two spraying discs. The spraying discs spread the manure with a very good uniformity and a spraying width of 15 meters (30 meters in total) on the farm level. The advantages of this type of fertilizer transfer and spraying system include the low cost of maintenance, the simplicity of the system, and the ability to spread fertilizer with different moisture levels. This device is equipped with four wheels with a large cross-sectional area, which reduces the pressure on the soil surface, as a result, the soil density is reduced and the creation of a hard layer in the field will be prevented.

Also, this device is made as a single axis, which makes the device able to distance well with a smaller radius, even in small fields. This device has a steel chassis with high balance and strength. It is also equipped with a shredder and a sieve to spread the fertilizer with better quality on the field. This model of fertilizer spreaders can be offered to farmers in different capacities from 5 tons to 8 tons.

Technical Data	PSC 5000	PSC 6000	PSC 7000
Weight	1700 Kg	1790 Kg	1810 Kg
Dimension	5600 x 1850 x 2150 mm	5600 x 1850 x 2350 mm	5600 x 1850 x 2550 mm
PTO Shaft	540 rpm	540 rpm	540 rpm
Working Rate Approx	8-16 ha/hr	8-18 ha/hr	10-18 ha/hr
Tank Capacity (Max)	5000-6000 Kg	5000-8000 Kg	6000-8000 Kg
Linkage	1 Point Hitch	1 Point Hitch	1 Point Hitch
Working Width	26 m	28 m	30 m
Requested Power (Min)	75-90 hp	75-90 hp	75-90 hp

HMB CO.
HAMEDAN MACHINE BARZEGAR



FERTILIZER SPREADER



MODEL PSC 7000



Model:

Price:

Expire:



CAMBRIDGE LEVELER

The roller leveler is for leveling land with proper accuracy and in the conditions of slight surface difference, and after partial leveling, the roller of the machine immediately rolls the leveled surface to reduce erosion and stabilize it. This device has a patent certificate.

Technical Data	LEVELER 3000	LEVELER 6000
Weight	750 kg	1300 kg
Dimansiouns	4500 × 3200 × 1250 mm	4500 × 6200 × 1250 mm
Diameter of Roller	550 mm	550 mm
Working Rate Approx	0.7 ha/hr	1.4 ha/hr
Tires	7.5 × 16 Pair	7.5 × 16 Double
Linkage	3 Points Hitch	3 Points Hitch
Working Width	3 m	6 m
Requested Power (Min)	75-95 hp	110 hp

HMB CO.
HAMEDAN MACHINE BARZEGAR



CAMBRIDGE LEVELER



Model:

Price:

Expire:



COMBINATION SEED SPRAYER

This machine is designed to plant crops such as cereal and leguminous seeds by dropping the seeds by the spraying tray of the machine and mixing the seeds with the soil by the cutting discs, inspired by the non-mechanized hand spraying method. Increase in yield by 20% due to seeds being placed in different depths of the soil and reducing the damage of birds and the possibility of frost, as well as reducing the damage of weeds due to the green cover of the entire field (in the atmosphere and on the ridges) and increasing the area of the field per unit area. 25% can be expected from planting with this machine due to the formation of stacks.

Technical Data

TESLA 3017

Weight	830 kg
Total Width	3.15 m
Number of Rows	17
Number of Disks	17
Seed Capacity	360 kg
Linkage	1 Points Hitch
Working Width	3 m
Requested Power (Min)	90-110 hp

HMB CO.
HAMEDAN MACHINE BARZEGAR



COMBINATION SEED SPRAYER



Model:

Price:

Expire:





NO TLLAGE SEED DRILL

The direct rainfed seeding machine is a new generation of planting machine in rainfed lands without tillage, which, in addition to its unique design, solves problems such as the limitation of planting legumes, depth control, automatic spring system, and conversion of the covering system to a pressure wheel compared to other models. Its oldness has been fixed. This device includes a dual-purpose fertilizer and seed furrow opener equipped with an anti-wear steel blade and an automatic spring system and rubber pressing wheels with suitable flexibility to stabilize the soil compaction on the seed in order to maintain moisture.

Technical Data	AXENT 2511	AXENT 2513
Weight	830 kg	925 kg
Total Width	2.55 m	2.55 m
Number of Rows	11	13
Seed Capacity	230 kg	230 kg
Fertilizer Capacity	230 kg	230 kg
Linkage	3 Points Hitch	3 Points Hitch
Working Width	2.35 m	2.35 m
Requested Power (Min)	90-110 hp	90-110 hp

HMB CO.
HAMEDAN MACHINE BARZEGAR



NO TILLAGE SEED DRILL



Model:

Price:

Expire:





AUTOMATIC POTATO PLANTER (NEW MODEL)

Planting potatoes by hand requires a lot of time and additional cost of human power, which sometimes does not have the desired result. This device transports the tuber from the tank and plants it in the soil by using the movers on which there are spoons of different types for planting small and large tubers.

This device is equipped with a high-quality Faroeri cover. In the models equipped with this device, there are two distributors in each row that place the fertilizer on both sides of the tuber.

Technical Data	PEGASUS 1R	PEGASUS 2R	PEGASUS 4R
Weight	370 Kg	810 Kg	1410 Kg
Dimansiouns	1500 x 1200 x 1720 mm	1700 x 1660 x 1720 mm	1700 x 3600 x 1720 mm
Tank Capacity	150 Kg	500 Kg	1000 Kg
Working Rate Approx	0.25 ha/hr	0.5 ha/hr	1 ha/hr
Linkage	3 Points Hitch	3 Points Hitch	3 Points Hitch
Requested Power (Min)	90 hp	90-125 hp	125 hp
Working Width	750 mm	1500 mm	3000 mm
Number of Rows	1	2	4



HMB CO.
HAMEDAN MACHINE BARZEGAR



POTATO PLANTER

PEGASUS 4R



PEGASUS 2R



PEGASUS 1R



PEGASUS PRO 2R



PEGASUS PLUS 2R





POTATO PLANTER

Planting potatoes by hand requires a lot of time and additional cost, which sometimes does not have the desired result. This device can carry the tuber from the tank and plant it in the soil using the ability to install different scoops for planting small, large and medium tubers. Also, this device is equipped with high-quality Farroer or Schipper covers. In the models equipped with a seed drill, this device can put chemical fertilizers and hens pellets separately on both sides, and sub-seeds are installed with two separate tanks, and there are two distributors in each row, which places the fertilizer on both sides of the tuber.

Technical Data

AB2

Weight	492 Kg
Dimansiouns	1720 x 1660 x 1900 mm
Tank Capacity	450 Kg
Working Rate Approx	0.4 ha/hr
Linkage	3 Points Hitch
Requested Power (Min)	75-90 hp
Working Width	1500 mm
Number of Rows	2 - 3



HMB CO.
HAMEDAN MACHINE BARZEGAR



POTATO PLANTER





POTATO, BEETS AND CORN RESIDUES TOPPER MACHINE

By using this device, you can reduce the cost of harvesting and increase the capacity and speed of harvesting operations surprisingly. This device has the ability to stop the growth of potatoes to produce seed potatoes in early harvests. It is also the best alternative to chemical pesticides to protect the environment and the potato farm. This device has special European blades of the highest quality and resistant to stone and clod impact.

Also, by using the European gearbox, it has good strength and resistance against the pressures. And by creating a high speed of the rotor shaft, it creates the best quality in destroying the stems. This device can also be used to crush the remains of corn for the next crop. This unique device can also grind beets by changing the blade system from metal to rubber.

Technical Data	POLARIS 2R	POLARIS 4R
Weight	580 Kg	1490 Kg
Dimension	2320 x 2070 x 1260 mm	3050 x 3680 x 1310 mm
PTO Shaft	540 rpm	540 rpm
Working Rate Approx	0.7 ha/hr	1.4 ha/hr
Linkage	3 Points Hitch	3 Points Hitch
Requested Power (Min)	60-90 hp	125 hp
Working Width	1500 mm	3000 mm
Number of Rows	2	4

HMB CO.
HAMEDAN MACHINE BARZEGAR



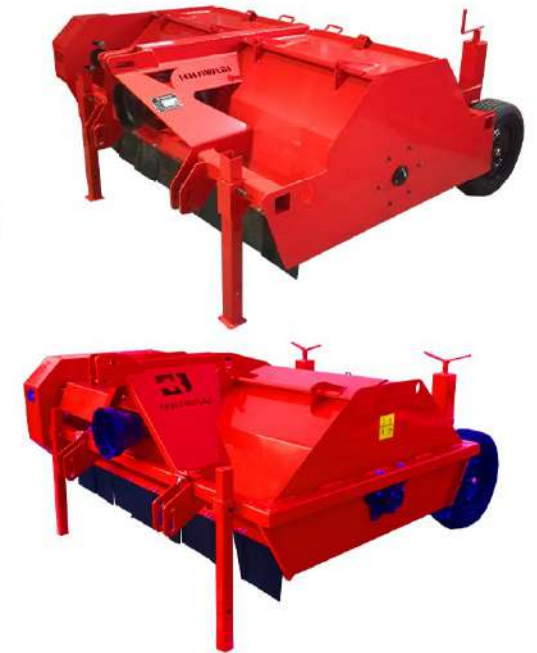
TOPPER MACHINE



POLARIS 4R



POLARIS 2R





POTATO DIGGER

Harvesting potatoes by hand requires spending a lot of time and additional cost of human power, which sometimes does not have the desired result. This device reduces the mechanical damage to the tubers by using a steel chain elevator with the appropriate length and increases the ability of effective screening.

Equipped with a plate clutch to protect the power transmission system, this device is very useful in small and large potato fields as well as fields with heavy soils.

Technical Data	SE 150	MERCURY 1R	MERCURY 2R	MERCURY 4R
Weight	670 Kg	550 Kg	720 Kg	2100 Kg
Dimansiouns	2050 x 1800 x 1200 mm	2800 x 1400 x 1200 mm	2540 x 1830 x 1200 mm	4000 x 3500 x 1300 mm
PTO Shaft	540 rpm	540 rpm	540 rpm	540 rpm
Working Rate Approx	0.5 ha/hr	0.25 ha/hr	0.5 ha/hr	1 ha/hr
Linkage	3 Points Hitch	3 Points Hitch	3 Points Hitch	3 Points Hitch
Requested Power (Min)	96 hp	90 hp	90 hp	125 hp
Working Width	1500 mm	750 mm	1500 mm	3000 mm
Number of Rows	2	1	2	4



HMB CO.
HAMEDAN MACHINE BARZEGAR



POTATO DIGGER

MERCURY 1R



MERCURY 2R



SE150



MERCURY 4R



MERCURY 2RS





ONION & GARLIC DIGGER

Onion or garlic tubers are removed from the soil by the onion and garlic harvester and transferred to the elevator of the machine. With the rotation of the elevator, the soil and residues are separated from the tubers and the product slowly falls on the ground behind the machine.

This machine has the ability to harvest onions, garlic and similar tuberous products. It also has a wide European rubber elevator with extra strength and a long elevator to reduce mechanical damage to the tubers.

Technical Data

RE 150

Weight	630 Kg
Dimension	2730 x 1830 x 2470 mm
PTO Shaft	540 rpm
Working Rate Approx	0.5 ha/hr
Linkage	3 Points Hitch
Requested Power (Min)	60-90 hp
Working Width	1500 mm
Number of Rows	2

HMB CO.
HAMEDAN MACHINE BARZEGAR



ONION & GARLIC DIGGER



مدل:

قیمت:

اعتبار:



POTATO PLANTER COMBINATION

This machine consists of a clod crushing machine (seed bed maker) and a tuber planting machine. In the front part, the operation of crushing lumps and preparing the seed bed and in the other part, the seed planting process is carried out by the planters connected to it in a linear manner in one step. By using this device, all seed planting operations (primary and secondary tillage) and planting operations are performed simultaneously with one tractor traffic in the field. This reduction in traffic will reduce fuel and energy consumption, as well as reduce the possibility of creating a hard layer in the soil. Also, this device is more efficient in areas where land preparation opportunities are limited due to climatic conditions.

Technical Data

POPT-N2R

Weight	1095 Kg
Dimansious	2400 x 1700 x 1900 mm
PTO Shaft	540 rpm
Working Rate Approx	0.3 ha/hr
Linkage	3 Points Hitch
Requested Power (Min)	110 hp
Working Width	1500 mm
Number of Rows	2



HMB CO.
HAMEDAN MACHINE BARZEGAR



POTATO PLANTER COMBINATION

Model:

Price:

Expire:





POTATO & CORN CULTIVATOR FERTILIZER

This device, which is used in potato fields during operations, is able to simultaneously perform four operations: breaking the basket, weeding, weeding and fertilizing.

Another unique advantage of this device is the regulation of the amount of fertilizer falling from 120 to 1000 kilograms per hectare, which is done by the minimax system.

Technical Data	TUCANA 3R	TUCANA 5R
Weight	390 Kg	530 Kg
Dimension	1990 x 1650 x 1390 mm	1150 x 3450 x 1300 mm
PTO Shaft	540 rpm	540 rpm
Working Rate Approx	0.5 ha/hr	2 ha/hr
Linkage	3 Points Hitch	3 Points Hitch
Requested Power (Min)	45 hp	90 hp
Working Width	1500 mm	3000 mm
Number of Rows	3	5



HMB CO.
HAMEDAN MACHINE BARZEGAR



CULTIVATOR FERTILIZER

TUCANA 3R



TUCANA 5R





STONE PICKER

Undoubtedly, collecting earth stones manually requires a lot of time and additional cost of human power, which sometimes does not have the desired result. One of the important issues in the agriculture sector is the growth of plants under stones, which makes the plant unable to continue its natural growth. As a result, collecting stones from the land requires a high-quality and powerful device so that we can increase the yield of the product. This standard device prevents the wastage of consumed seeds as well as damage to agricultural tools for planting, planting and harvesting.

Technical Data	HERCULES 2T	HERCULES 3T	HERCULES 4T
Weight	3420 Kg	3600 Kg	3900 Kg
Dimension	4950 × 2350 × 2350 mm	5000 × 2440 × 2350 mm	5000 × 2600 × 2550 mm
PTO Shaft	540 rpm	540 rpm	540 rpm
Discharging Height	2050 mm	2050 mm	2050 mm
Tank Capacity (Max)	2000 Kg	3500 Kg	4500 Kg
Tank Width	1300 mm	1500 mm	1700 mm
Working Width	1300 mm	1500 mm	1700 mm
Requested Power (Min)	90-125 hp	90-125 hp	90-125 hp
Size of Stones	50-300 mm	50-300 mm	50-300 mm
Weight of Stones	0.2-25 Kg	0.2-25 Kg	0.2-25 Kg



HMB CO.
HAMEDAN MACHINE BARZEGAR



STONE PICKER

HERCULES 3T



HERCULES 2T

Model:

Price:

Expire:



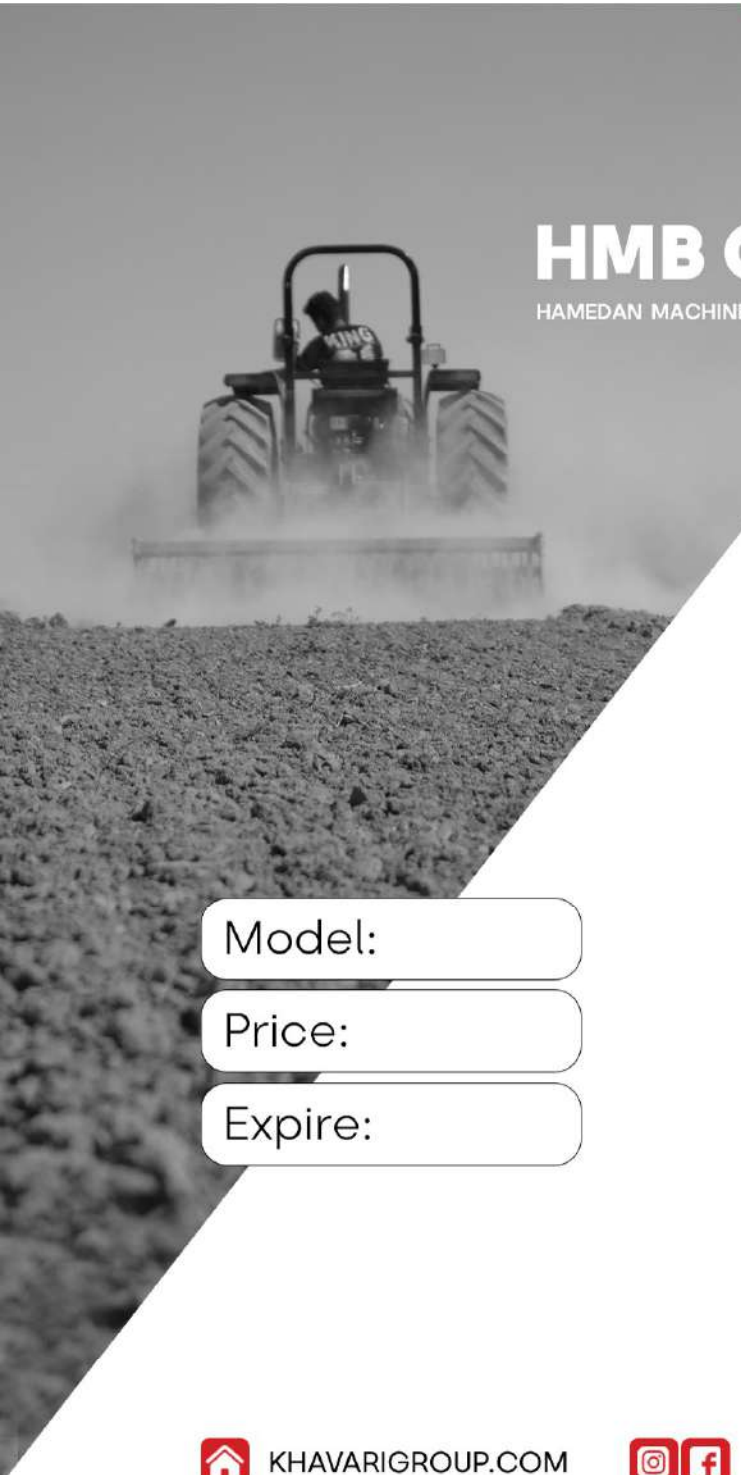
ROTATOR

This machine is used to plow large areas. According to the power of the tractor or tiller, the width of the rotary tiller and the number of its blades are different. The rotation of the axle and shaft of the tractor, which is coupled with the rotivator, is 450 rpm. To prevent damage to this device when it hits stones, tree roots, and hard objects in agricultural land, a garden clutch is used, and a gearbox is used to transmit power and adjust the shaft rotation. The rotivator frame is made of steel. The blades are placed on the rotating shaft of the rotivator. The material of the blades is carbon, medium carbon steel or alloy steel. The rotivator is rotated by the PTO shaft of the tractor. The PTO axis first rotates the shafts and then the blades.

Technical Data

Ro 2500

Weight	740 Kg
Dimension	800 x 2780 x 1250 mm
PTO Shaft	540 rpm
Working Rate Approx	0.5 ha/hr
Linkage	3 Points Hitch
Requested Power (Min)	100-120 hp
Working Width	250 mm
Number of Blades	66



HMB CO.
HAMEDAN MACHINE BARZEGAR



ROTATOR

Model:

Price:

Expire:





CHISEL PACKER

The growing distance of farmers from using conventional machines in tillage operations due to high economic costs (fuel consumption, depreciation of tractors and manpower) and its unfortunate consequences on the soil structure (destruction of plant residues, early evaporation of soil moisture, water - Wind erosion), has doubled the need to replace the compound tillage machines with the aim of solving the mentioned problems.

Technical Data	PINOCCHIO 5 ^{SHORT}	PINOCCHIO 5 ^{LONG}	PINOCCHIO 7	PINOCCHIO 9
Weight	690 kg	770 kg	790 kg	890 kg
Dimensions	2150 x 1640 x 1300 mm	2400 x 1640 x 1570 mm	2500 x 1840 x 1300 mm	2600 x 2040 x 1300 mm
Depth of Penetration	350 mm	550 mm	350 mm	350 mm
Working Rate Approx	1.1 ha/hr	1 ha/hr	1.5 ha/hr	2 ha/hr
Linkage	3 Points Hitch	3 Points Hitch	3 Points Hitch	3 Points Hitch
Working Width	1.5 m	1.5 m	2 m	2.5 m
Requested Power (Min)	80-90 hp	110-120 hp	90-100 hp	100-110 hp
Number of Shanks	5	5	7	9



HMB CO.
HAMEDAN MACHINE BARZEGAR



CHISEL PACKER

Model:

Price:

Expire:





DRUM MOWER

Cylindrical rotary harvester provides the ability to harvest any forage and pasture plants at high speed. Due to the closeness of the plates to the soil surface, the productivity is increased and the forage cutting is done in such a way that the drying and collection of the fodder is done easily.

Technical Data	GMD 165	GMD 185
Weight	390 kg	430 kg
Cutting Width	1650 mm	1850 mm
PTO Shaft	540 rpm	540 rpm
Working Rate Approx	2 ha/hr	2.2 ha/hr
Number of Blades	6	6
Linkage	3 Points Hitch	3 Points Hitch
Working Width	1.65 m	1.85 m
Requested Power (Min)	45-65 hp	45-65 hp

HMB CO.
HAMEDAN MACHINE BARZEGAR



DRUM MOWER

Model:

Price:

Expire:





SQUARE BALER

Collecting and transferring the dried fodder from the field to the storage place in a way that minimizes the fall of leaves is always one of the problems faced by the farmers, therefore, by using the fodder package, the mentioned problems can be overcome.

Technical Data

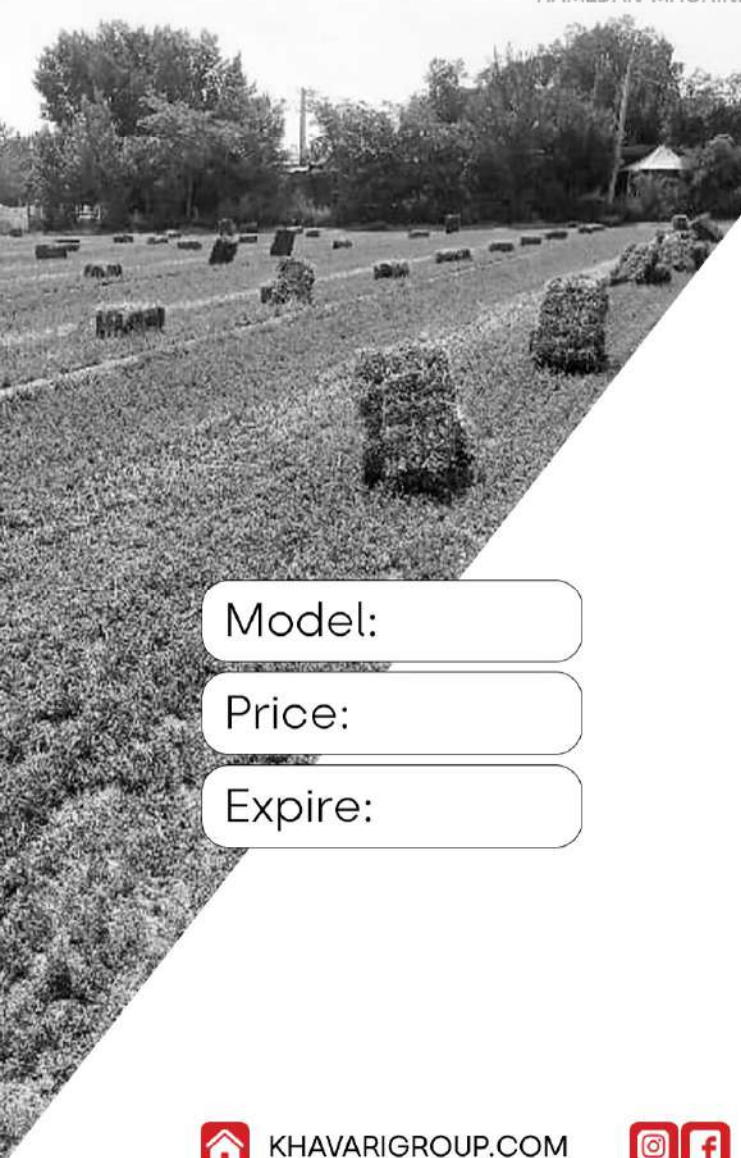
LSB 150

Weight	1460 kg
Section of Packages	360 x 460 mm
Piston Stroke	90 rpm
Length of Packages	400 to 1300 mm
Feed Opening Width	1500 mm
Linkage	3 Points Hitch
Working Width	1.5 m
Requested Power (Min)	75-90 hp

HMB CO.
HAMEDAN MACHINE BARZEGAR



SQUARE BALER



Model:

Price:

Expire:





TURBOLINER SPRAYER

Turboliner sprayer is very efficient and useful for spraying fields and tall trees and the best type of sprayer in terms of spraying length. This device has a double centrifugal fan with a diameter of 550 mm, adjusting the direction of poison spraying in a fully hydraulic way with the help of a head fan with the ability to adjust the angle of 90 degrees in the vertical direction by the jack and rotate the angle of 180 degrees in the horizontal direction by the hydromotor and the turbine assembly under A 60 degree angle is placed with the help of a jack.

Technical Data

TS 550

Weight	75 kg
Tank Capacity	2000 Lit
Fan Diameter	550 mm
Number of Nozzles	16
The number of Rotation of the Gearbox	2
Linkage	2 Point Hitch
PTO Shaft	540 rpm
Requested Power (Min)	110 hp

HMB CO.
HAMEDAN MACHINE BARZEGAR



TURBOLINER SPRAYER



Model:

Price:

Expire:



CORN & BEET PNEUMATIC SEED DRILL

This device is a precise device for working with a pneumatic system and suitable for cultivating corn and other row crops with high accuracy and sensitivity. This machine also has a poison and fertilizer tank. Also, it has the ability to change with tillage systems of simultaneous planting in the form of combinations.

Technical Data	SP 4 ROW 75cm	SP 5 ROW 75cm	SP 6 ROW 75cm	SP 6 ROW 45cm	SP 12 ROW 45cm
Number of Rows	4	5	6	6	12
Weight	550 Kg	615 Kg	692 Kg	740 Kg	1129 Kg
Requested Power (Min)	60 hp	70 hp	90 hp	70 hp	120 hp
PTO Shaft	540 rpm	540 rpm	540 rpm	540 rpm	540 rpm
Fertilizer Tank Capacity	320 Kg	320 Kg	560 Kg	320 Kg	400 Kg
Seed Tank Capacity	32 Kg	32 Kg	32 Kg	32 Kg	32 Kg
Row Spacing	750 mm	750 mm	750 mm	750 mm	750 mm
Chassis Length	2.5 m	3.2 m	4.2 m	2.5 m	2.5 m

HMB CO.
HAMEDAN MACHINE BARZEGAR



SP SPRINT



Model:

Price:

Expire:



DOWNLOAD PDF

